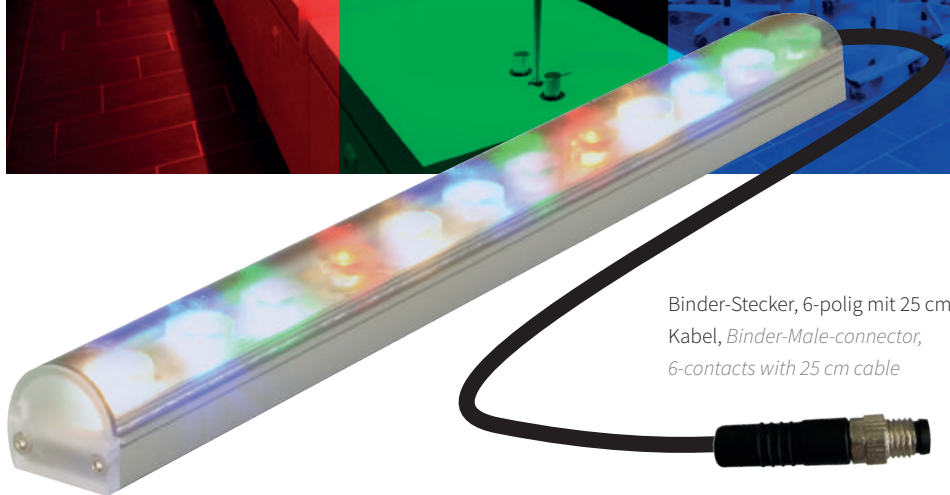
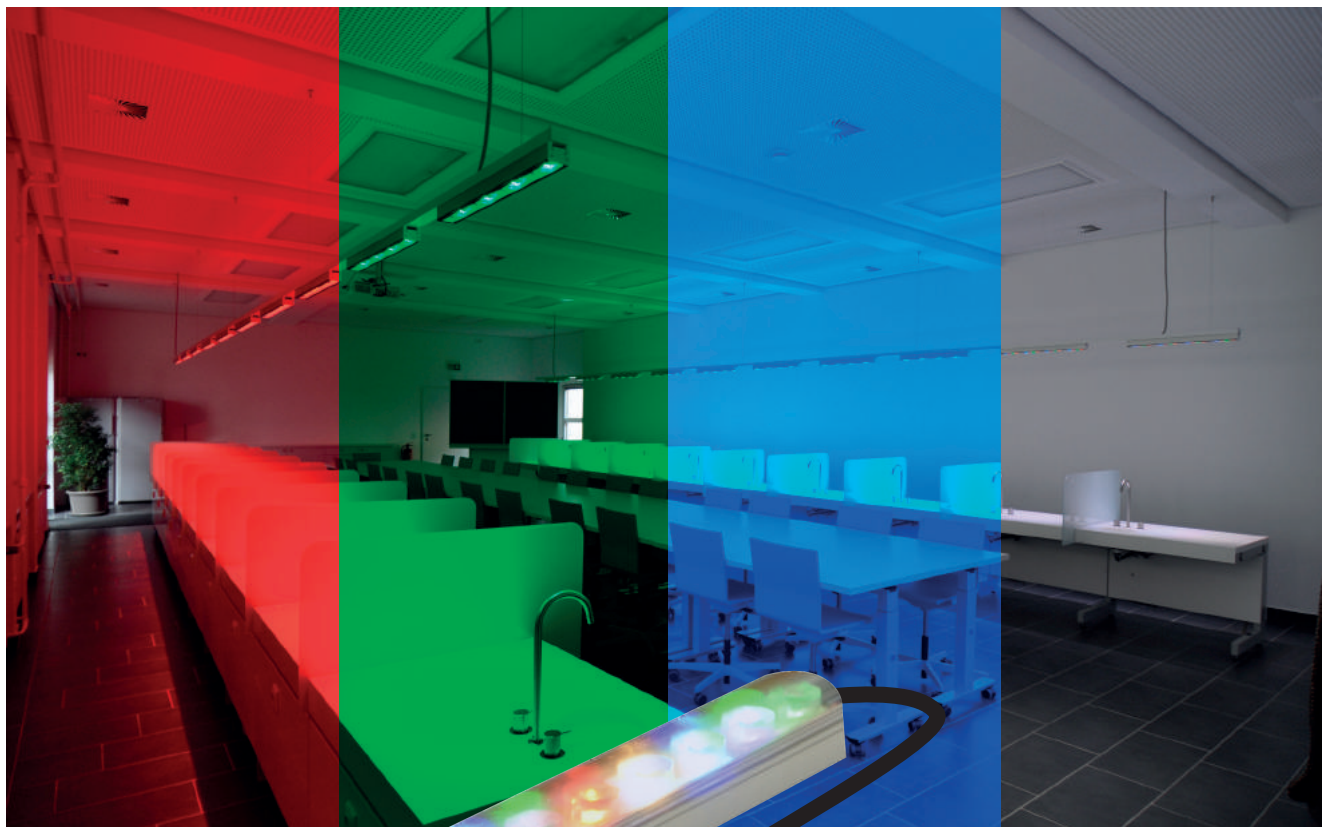
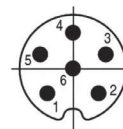


Focus-2 4Channel

Gerichtete Lichteffekte in RGBW
regular lighting effect in RGBW



Binder-Stecker, 6-polig mit 25 cm
Kabel, Binder-Male-connector,
6-contacts with 25 cm cable



- 1 braun/brown = +
 - 2 weiss/white = - weiss/white
 - 3 blau/blue = - blau/blue
 - 4 schwarz/black = n.b./not connect
 - 5 grau/grey = - grün/green
 - 6 rosa/pink = - rot/red
- Achtung! Kein Verpolschutz!
Caution! No Reverse polarity protection

1300 lm/m || CRI > 80 || 2700°K

Lichtstarke RGBW-LEDs ermöglichen mit dem Focus 4Channel Leuchteneinsatz effektvolle Inszenierungen für Schaufenster, Bühnen und Fassaden.

Auch die Focus 4Channel arbeitet mit Konstantstromtechnologie und zeichnet sich durch niedrige Eigenerwärmung, hohe Effizienz und lange Lebensdauer aus.

Powerful RGBW LEDs make it possible to create effective settings for shop windows, stages and façades with the Focus 4Channel light insert.

The Focus4Channel also works with constant current technology and is characterised by high efficiencies, long life spans and by the fact that it generates little heat.



Eigenschaften Characteristics



Dimmbar Dimming



Optional Optional



Montage Mounting

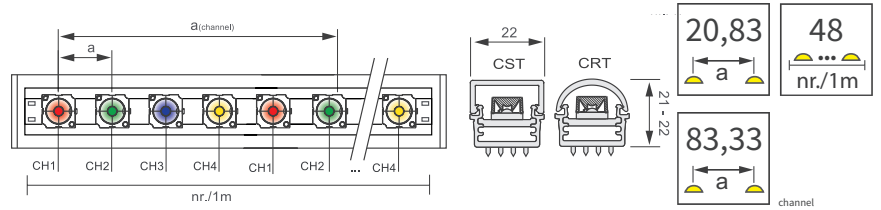
Technische Daten

Technical Data

Operating current: 350 mA (max. 700 mA),
 Nominal wattage: depending on light colour per channel, e.g. RGBW 56,4 W/m;
 Photometric code: 8XX/449 (for white)
 Type of current: CC
 LED service life: L80/B50 - 50 000 h
 Dimmable: separate pulse width modulation (PWM)
 Length dividing matrix: 250 mm
 LED pitch: 20,83 mm (inside group),
 83,33 mm (between channels)

Maße
 ohne Montageprofil,
 Cover Square

Dimensions
 without mounting profile,
 Cover Square

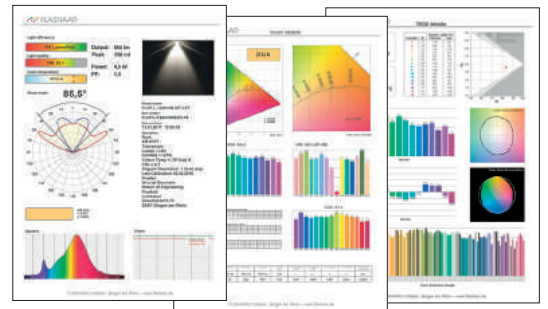


Lichtverteilung

Light distribution

Alle lichttechnischen Daten - vermessen im FLASHAAR Lichtlabor - finden Sie unter www.flashaar.com

Light-distribution curves for all light inserts - measured in FLASHAAR's light laboratory - at www.flashaar.com



Bestellnummer

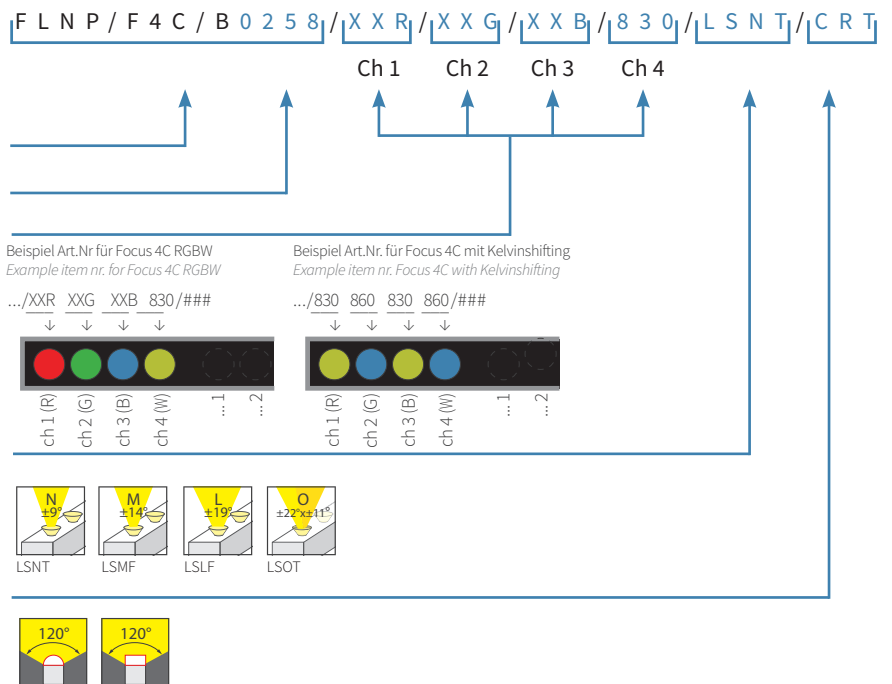
Item number

Produkt Product
 Länge Length (mm)*

Lichtfarbe/-strom Luminous colour/flux**
 WW 2700°K - 1300 lm/m - max. 13,68 W..830
 R - 744 lm - max. 11,52 W/chXXR
 G - 1254 lm - max. 15,6 W/chXXG
 B - 260 lm - max. 15,6 W/chXXB

Präzisionslinsen Precision lenses
 Narrow transparent 19°LSNT
 Medium frosted 27°LSMF
 Large frosted 38°LSLF
 Oval transparent 21°x45°LSOT

Schutzcover Cover
 Cover round transparent.....CRT
 Cover Square transparent.....CST



* Länge der Leuchteneinsätze ab 258 mm bis max. 1008 mm. Teilungsraster in 250 mm-Schritten. Übersicht der Längen und Wattagen siehe S. 80/81 Light inserts from 258 mm long up to a maximum length of 1,008 mm. The grid uses 250 mm increments. Please refer to Page 80/81 for an overview of lengths and wattages

** Alle Angaben zum Lumenstrom beziehen sich auf das Leuchtmittel. In Kombination mit Cover/Linsen kommt es zu materialbedingtem Lichtverlust. Eulumsdats aller Varianten unter www.flashaar.com ** All information about the luminous flux refers to the lamp. Covers and lenses on luminaires will naturally result in the material causing a little of loss lighting. Eulumdats for all versions at www.flashaar.com

NauticProfil Line / Focus: Übersicht Längen & Wattagen

NauticProfil Line / Focus: Overview lengths & wattages

Produkt / Product: NP Line Sta. Maria-4	L (mm)*	Watt
FLNP/L/01C0108/###/###	108	0,48
FLNP/L/01C0208/###/###	208	0,96
FLNP/L/01C0308/###/###	308	1,44
FLNP/L/01C0408/###/###	408	1,92
FLNP/L/01C0508/###/###	508	2,40
FLNP/L/01C0608/###/###	608	2,88
FLNP/L/01C0708/###/###	708	3,36
FLNP/L/01C0808/###/###	808	3,84
FLNP/L/01C0908/###/###	908	4,32
FLNP/L/01C1008/###/###	1008	4,80
FLNP/L/01C1108/###/###	1108	5,28
FLNP/L/01C1208/###/###	1208	5,76
FLNP/L/01C1308/###/###	1308	6,24
FLNP/L/01C1408/###/###	1408	6,72
FLNP/L/01C1508/###/###	1508	7,20
FLNP/L/01C1608/###/###	1608	7,68
FLNP/L/01C1708/###/###	1708	8,16
FLNP/L/01C1808/###/###	1808	8,64
FLNP/L/01C1908/###/###	1908	9,12
FLNP/L/01C2008/###/###	2008	9,60
Produkt / Product: NP Line Victory-4	L (mm)*	Watt
FLNP/L/03C0058/###/###	58	0,45
FLNP/L/03C0108/###/###	108	0,89
FLNP/L/03C0158/###/###	158	1,34
FLNP/L/03C0208/###/###	208	1,78
FLNP/L/03C0258/###/###	258	2,23
FLNP/L/03C0308/###/###	308	2,67
FLNP/L/03C0358/###/###	358	3,12
FLNP/L/03C0408/###/###	408	3,56
FLNP/L/03C0458/###/###	458	4,01
FLNP/L/03C0508/###/###	508	4,45
FLNP/L/03C0558/###/###	558	4,90
FLNP/L/03C0608/###/###	608	5,34
FLNP/L/03C0658/###/###	658	5,79
FLNP/L/03C0708/###/###	708	6,23
FLNP/L/03C0758/###/###	758	6,68
FLNP/L/03C0808/###/###	808	7,12
FLNP/L/03C0858/###/###	858	7,57
FLNP/L/03C0908/###/###	908	8,01
FLNP/L/03C0958/###/###	958	8,46
FLNP/L/03C1008/###/###	1008	8,90
FLNP/L/03C1058/###/###	1058	9,35
FLNP/L/03C1108/###/###	1108	9,79
FLNP/L/03C1158/###/###	1158	10,24
FLNP/L/03C1208/###/###	1208	10,68
FLNP/L/03C1258/###/###	1258	11,13
FLNP/L/03C1308/###/###	1308	11,57
FLNP/L/03C1358/###/###	1358	12,02
FLNP/L/03C1408/###/###	1408	12,46
FLNP/L/03C1458/###/###	1458	12,91

↑ Base code ↑ Light colour ↑ Cover & Lens

Produkt / Product: NP Line Victory-4	L (mm)*	Watt
FLNP/L/03C1508/###/###	1508	13,35
FLNP/L/03C1558/###/###	1558	13,80
FLNP/L/03C1608/###/###	1608	14,24
FLNP/L/03C1658/###/###	1658	14,69
FLNP/L/03C1708/###/###	1708	15,13
FLNP/L/03C1758/###/###	1758	15,58
FLNP/L/03C1808/###/###	1808	16,02
FLNP/L/03C1858/###/###	1858	16,47
FLNP/L/03C1908/###/###	1908	16,91
FLNP/L/03C1958/###/###	1958	17,36
FLNP/L/03C2008/###/###	2008	17,80
Produkt / Product: NP Line Navigator	L (mm)*	Watt
FLNP/L/14A0108/###/###	108	0,96
FLNP/L/14A0208/###/###	208	1,92
FLNP/L/14A0308/###/###	308	2,88
FLNP/L/14A0408/###/###	408	3,84
FLNP/L/14A0508/###/###	508	4,80
FLNP/L/14A0608/###/###	607	5,76
FLNP/L/14A0708/###/###	708	6,72
FLNP/L/14A0808/###/###	808	7,68
FLNP/L/14A0908/###/###	908	8,64
FLNP/L/14A1008/###/###	1008	9,60
FLNP/L/14A1108/###/###	1108	10,56
FLNP/L/14A1208/###/###	1208	11,52
FLNP/L/14A1308/###/###	1308	12,48
FLNP/L/14A1408/###/###	1408	13,44
FLNP/L/14A1508/###/###	1508	14,40
FLNP/L/14A1608/###/###	1608	15,36
FLNP/L/14A1708/###/###	1708	16,32
FLNP/L/14A1808/###/###	1808	17,28
FLNP/L/14A1908/###/###	1908	18,24
FLNP/L/14A2008/###/###	2008	19,20
Produkt / Product: NP LineRadiant	L (mm)*	Watt
FLNP/L/15A0108/###/###	108	2,4
FLNP/L/15A0208/###/###	208	4,8
FLNP/L/15A0308/###/###	308	7,2
FLNP/L/15A0408/###/###	408	9,6
FLNP/L/15A0508/###/###	508	12,0
FLNP/L/15A0608/###/###	608	14,4
FLNP/L/15A0708/###/###	708	16,8
FLNP/L/15A0808/###/###	808	19,0
FLNP/L/15A0908/###/###	908	21,6
FLNP/L/15A1008/###/###	1008	24,0
FLNP/L/15A1108/###/###	1108	26,4
FLNP/L/15A1208/###/###	1208	28,8
FLNP/L/15A1308/###/###	1308	31,2
FLNP/L/15A1408/###/###	1408	33,6
FLNP/L/15A1508/###/###	1508	36,0
FLNP/L/15A1608/###/###	1608	38,4
FLNP/L/15A1708/###/###	1708	40,8

↑ Base code ↑ Light colour ↑ Cover & Lens

Bitte bei Bestellung die Art.Nr. um die gewünschte Lichtfarbe und Cover / Linse ergänzen. Please complete the item nr. with the desired light colour and cover / lens type.
 * für Außenbereich: max. 1008 mm / for outdoor area: max. 1008 mm

